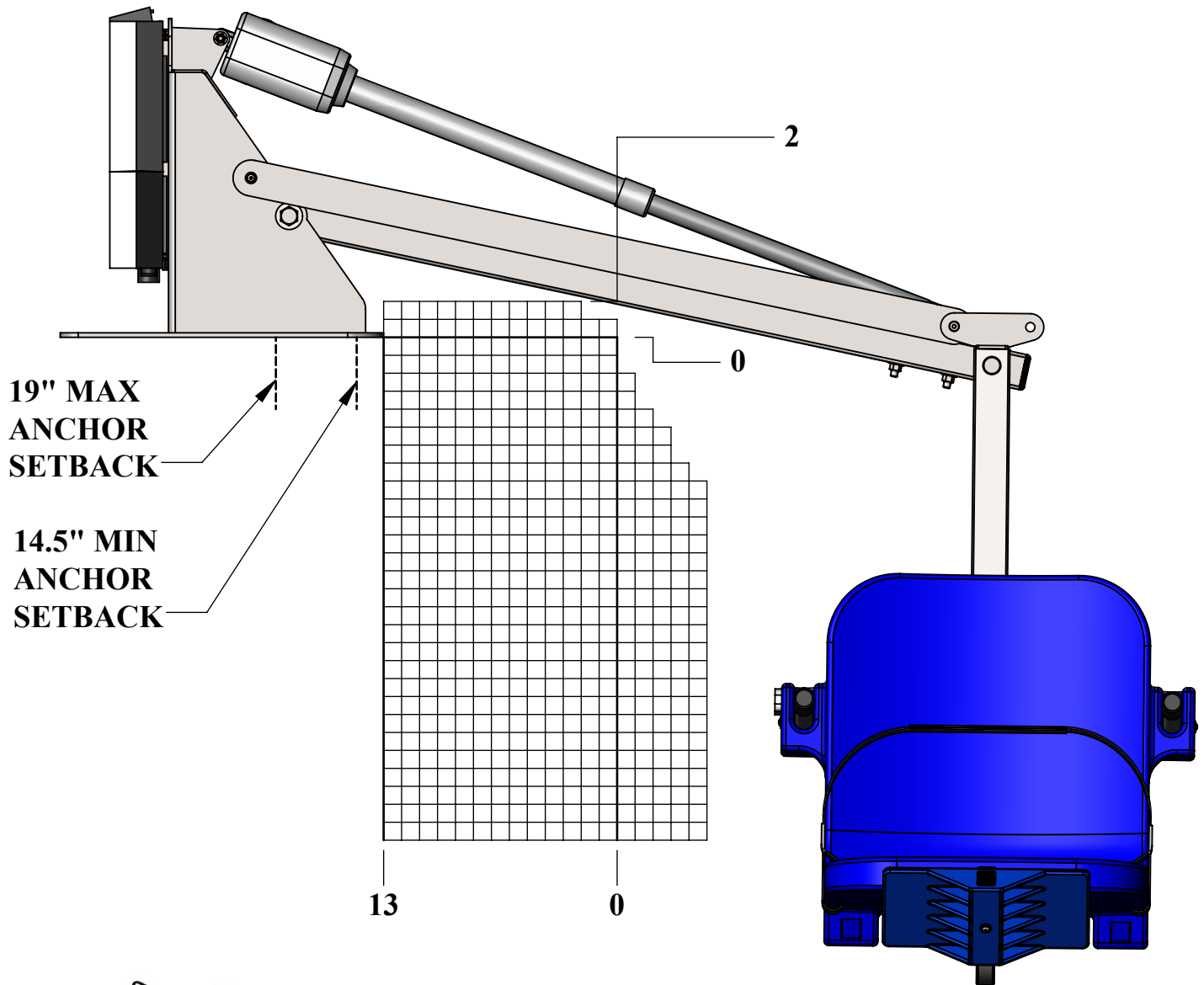


RANGER 2 GRAPH CHART

MINIMUM ANCHOR SETBACK = 14.5"
 MAXIMUM ANCHOR SETBACK = 19"

THE FRONT EDGE OF THE BASE PLATE
 WILL ALWAYS BE 13" FROM THE POOL
 EDGE FOR ADA APPLICATIONS

DRAW YOUR PROFILE ON THE
 GRAPH USING THE FRONT
 ANCHOR LOCATIONS AS
 YOUR START POINT. ALL
 GRAPH LINES ARE IN 1"
 INCREMENTS.




Aqua Creek Products

strack Liftsysteme

Strack AG
 Ebnatstrasse 125
 8200 Schaffhausen

Tel. 0800 600 500
 Fax 0800 600 900

www.strack.ch
 info@strack.ch

ZSR-Nr. K 7514.14
 NIF-Nr. 366 824
 MWST-Nr. 567 970

PRODUCT:		RANGER 2	
PART #:		F-RNGR2	
SCALE:	1:9	DATE:	12/23/2019
DRAWN BY:	KR	REVISION:	02